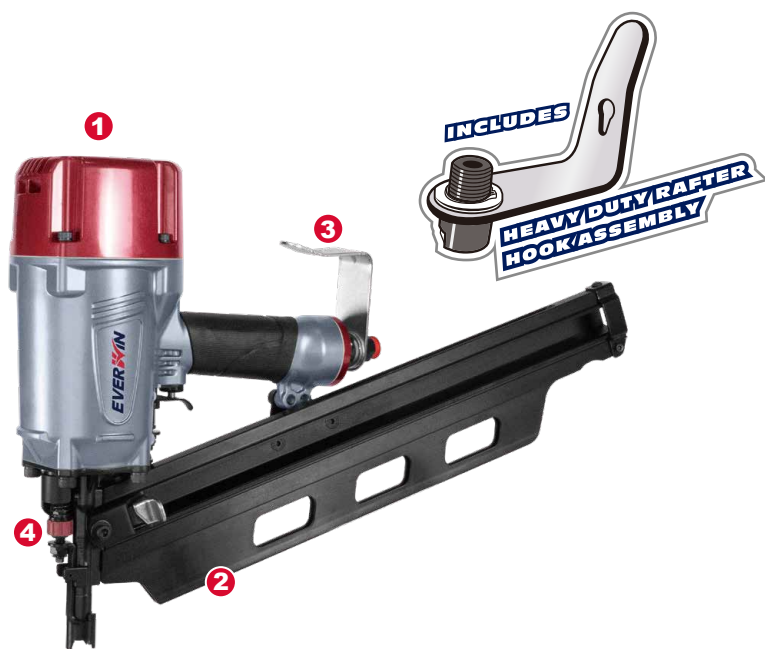


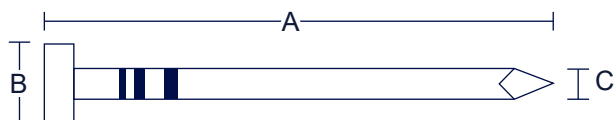
## TOOL FEATURES

1. Fast, Power-Boosted Industrial Engine
2. Aluminum Hardliner™ Magazine
3. Heavy Duty Rafter Hook Assembly
4. Depth Control (FSN2283BD only)
  - 2 Trigger Options: -ST (Sequential), -CT (Contact)



## FASTENER SPECS

Type	21° Plastic Collated Nails
Loading Capacity	70
A	50~90mm (2"~3-1/2")
B	6.8~8.0mm (0.268"~0.315")
C	2.9~3.8mm (0.113"~0.148")



## TOOL SPECS

Weight	FSN2283B: 4.04 kgs (8.98 lbs) FSN2283BD: 4.11 kgs (9.06 lbs)
Height	353.4mm (13.9")
Width	132.7mm (5.2")
Length	529mm (20.8")
Operating Pressure	5~8 bar (70~120 psi)
Driving Power	780 In-lbs @100 psi
Applications	Sheathing, Framing, General Construction

